

INSTALLATION INSTRUCTIONS

FOR CRESCOR 848-62-K THERMOSTAT

KIT CONTAINS:

1	Thermostat	1	Connector For Sensor
2	Screws 6-32	1	Label
2	Washers	1	3/16 Cable Clamp
1	Knob	1	Screw #8
1	Locknut 1/8 IPS	1	Bushing



**DISCONNECT POWER BEFORE
SERVICING EQUIPMENTS.**

REPLACING THERMOSTAT:

1. Remove knob.
 - a. If knob has set screws, loosen and Remove.
 - b. If knob doesn't have set screws:
 - 1) Pull off the cap on the face of the knob.
 - 2) Loosen the 3/8 nut counter-clockwise two (2) turns.
2. Remove the thermostat by removing two screws located below the knob.
3. Mark the wires attached to the old thermostat and disconnect.
4. Fasten new thermostat to control panel with screws provided.
5. Attach wires to thermostat terminals per step 3. (**Note:** Refer to Figure 1.)
6. Turn thermostat shaft counter-clockwise until it stops.
7. Install thermostat label provided, if required.
8. Install new knob on thermostat shaft with pointer set at OFF.
9. Tighten knob to shaft.
10. Mount sensor as required:
 - a. For mounting in air or over blowers, see Fig 2.
 - b. For mounting in water reservoirs, see Fig. 3.

INSTALLATION INSTRUCTIONS

FOR CRESCOR 848-62-K THERMOSTAT

Note: If replacing Solid State Thermostat, the old thermostat could be wired per one of the following digrams.

FIGURE 1

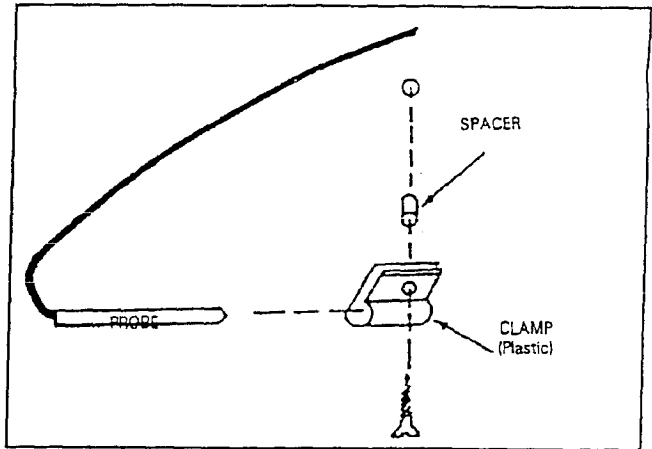
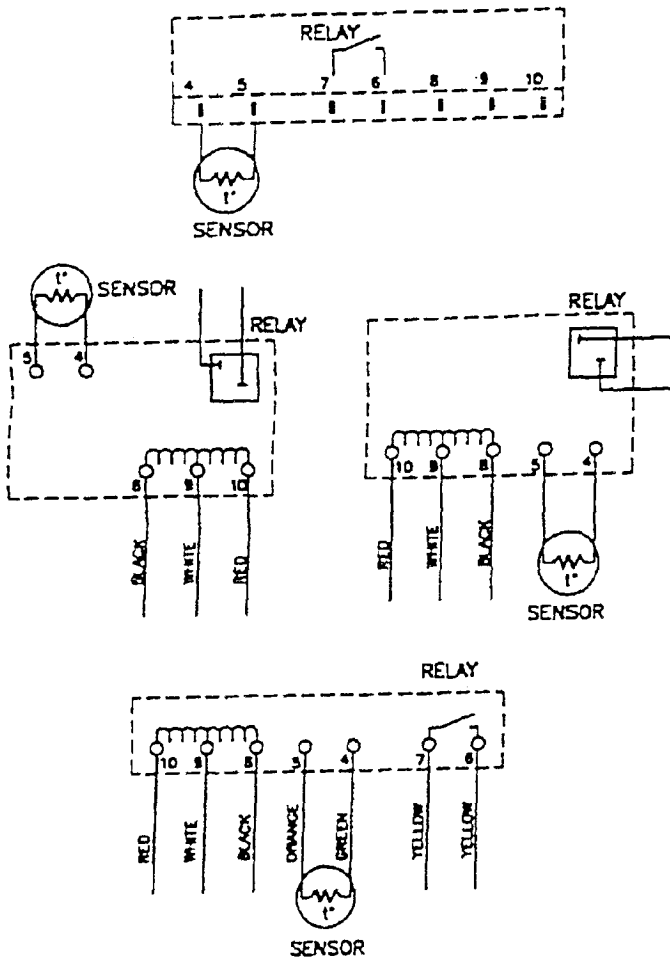


FIGURE 2 Air Mounting

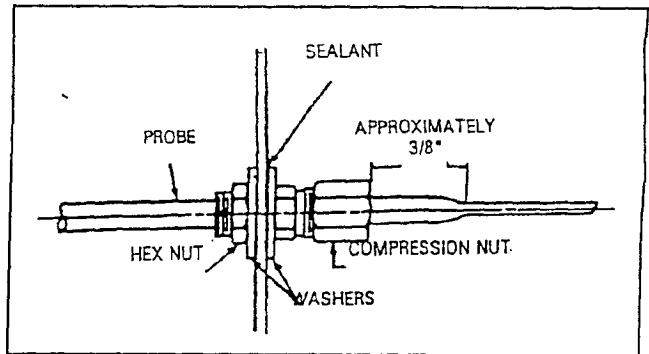


FIGURE 3 Reservoir Mounting

1. Connect new thermostat to wires that were connected to the relay, or 6 and 7, or Yellow leads).
2. Remove sensor and wires with old thermostat.

CAUTION

Leads that connected to Terminals 8, 9 and 10 or Black, White, or Red must be removed or taped off to prevent shock hazard.