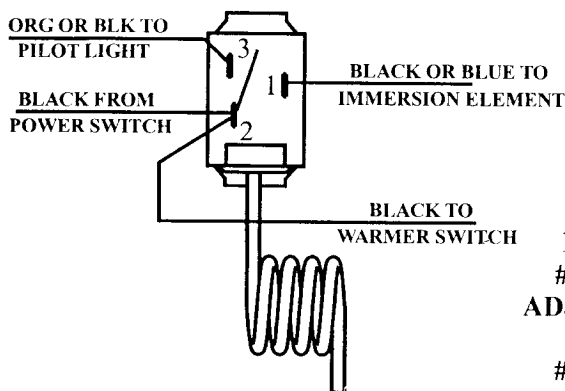


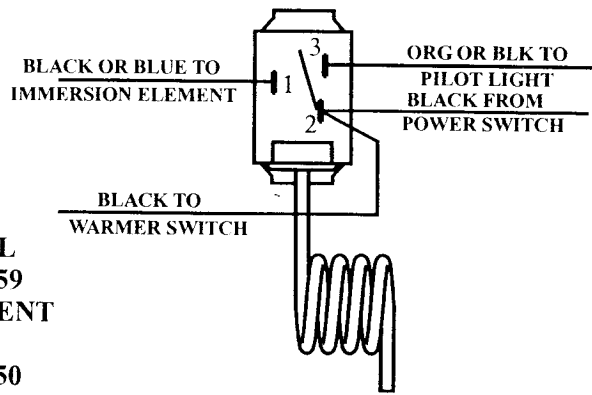


**THERMOSTAT CHANGE FOR KIT #1039086
TO REPLACE 9920450 THERMOSTAT WITH 9920434 THERMOSTAT
(ALL STYLE OF BREWMATIC BREWERS EXCEPT DIPLOMAT II & VI MODELS)**

#9920450 THERMOSTAT WITH TYPICAL ELECTRICAL CONNECTIONS

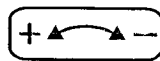


**9920450 - THERMOSTAT, (A-22)
WITH BLACK SWITCH BASE**

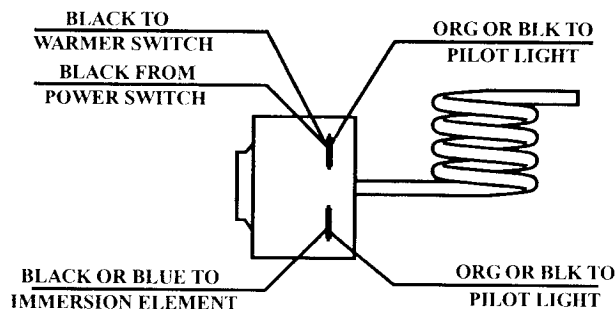


**9920450 - THERMOSTAT, (A-22)
WITH WHITE TERMINAL BASE**

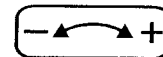
**DECAL
#1030959
ADJUSTMENT
FOR
#9920450**



TYPICAL ELECTRICAL CONNECTIONS FOR THERMOSTAT #9920434
REPLACING THERMOSTAT #9920450



**DECAL
#9904236
ADJUSTMENT
FOR
#9920434**



INSTRUCTIONS:

1. TURN BREWER POWER SWITCH TO THE OFF POSITION.
2. UNPLUG BREWER LEADCORD FROM ELECTRICAL WALL OUTLET.
3. DISCONNECT THE OLD THERMOSTAT #9920450.
4. REMOVE ANY EXISTING LABELS THAT REFER TO THE THERMOSTAT #9920450 ADJUSTMENT.
5. INSTALL THE NEW THERMOSTAT #9920434 PROVIDED WITH THIS KIT.
6. RECONNECT THE NEW THERMOSTAT ACCORDING TO THE DIAGRAMS ABOVE, PROVIDED WITH THIS KIT.
7. USE THE WIRES AND THE CONNECTORS SUPPLIED AS NEEDED.
8. APPLY THE NEW SUPPLIED LABEL, #9904236, SHOWING THE ADJUSTMENT FOR THE NEW THERMOSTAT.
(NEW LABEL SHOWS TEMPERATURE ADJUSTMENT IS MADE IN OPPOSITE DIRECTION.)
9. PLUG BREWER LEADCORD INTO ELECTRICAL WALL OUTLET.
10. TURN BREWER POWER SWITCH TO THE ON POSITION.
11. TEST THE COFFEE BREWER AND MAKE TEMPERATURE ADJUSTMENTS AS NEEDED
(SEE MANUALS).