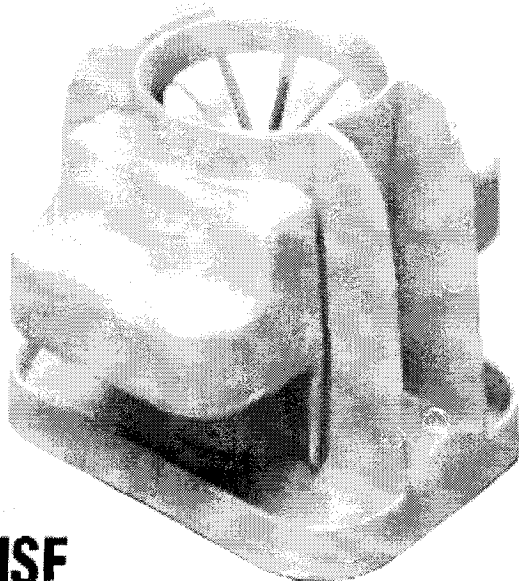


OPERATING INSTRUCTIONS



FRANKLIN MACHINE PRODUCTS

Citrus Wedger™ Model No. CW-6FP



NSF

PRODUCT SPECIFICATION

Model No.
CW-6FP

Slice Size
8 Section (YEL)

TABLE OF CONTENTS	PAGE
Installation	2
Operating	2
Cleaning	2

LIMITED WARRANTY

This product is warranted to be free from defects in material and/or workmanship for a period of 90 Days from date of purchase. **A Proof of Purchase is required for all warranty claims.**

Any component which proves to be faulty in material and/or workmanship will be replaced without cost to the customer for parts or labor.

This warranty is subject to the following exceptions/conditions:

- This equipment is portable; charges for on-location service (e.g., trip charges, mileage) are not included in the provisions of this warranty.
- Damage caused by carelessness, neglect, and/or abuse (e.g., dropping, tampering or altering parts), equipment damaged in shipment, by fire, flood or an act of God is not covered under this warranty.



FRANKLIN MACHINE PRODUCTS

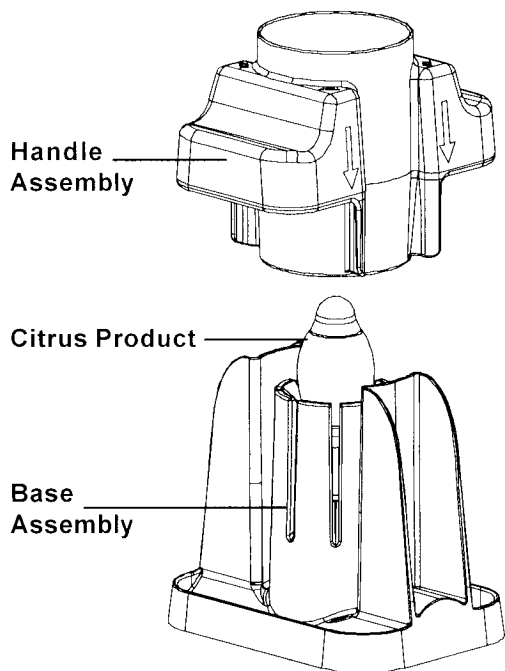
INSTALLATION

1. After you have removed the Citrus Wedger™ from the carton, inspect the unit for signs of damage. If there is damage to the unit:
 - Notify carrier within 24 hours after delivery.
 - Save carton and packing materials for inspection purposes.
 - Contact Franklin Products to arrange for a replacement to be sent.
2. Verify that all parts have been received.

OPERATION

**CAUTION BLADES ARE SHARP
DO NOT TOUCH BLADES**

1. Place unit on a level surface.
2. Lift handle assembly off of the base, place citrus product on center of the base. Push handle down through the citrus product.



CLEANING

**CAUTION BLADES ARE SHARP
DO NOT TOUCH BLADES**

The Citrus Wedger can be washed in hot soapy water using a pot cleaning brush to clean the blades. Let unit air dry.