



Surface Igniter Corporation

Installation Instructions

Replacement for IG1000 Universal Igniter

Caution: Turn off gas and electrical power to appliance before servicing.

Fragile: Handle with care. Warranty will not cover broken igniters caused by mishandling.

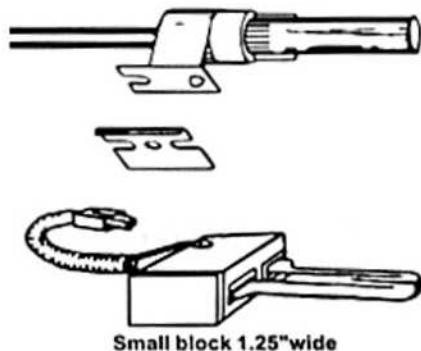
Warning: Use this igniter to replace **ONLY** the flat style igniters listed on the back of this sheet.

***** DO NOT USE THIS IGNITER FOR ANY OTHER APPLICATIONS.*****

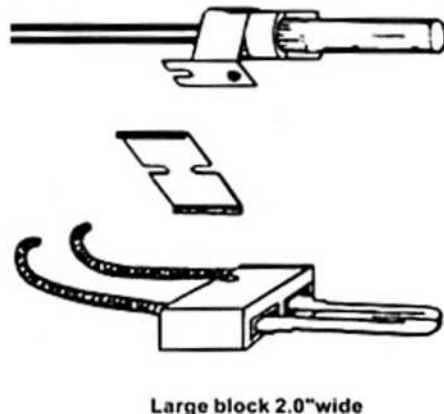
Instructions

1. Remove the screw that holds igniter to burner.
2. Disconnect wires.
3. Select the Stainless Steel bracket that matches the original igniter's ceramic block size.
4. Compare the mounting position of the ceramic mounting lip and position the stainless steel bracket's lip into the matching position. Using the screw supplied, mount the new igniter through the stainless steel bracket to the appliance. (See diagram shown below)

Small bracket



Large bracket



IMPORTANT: Surface Igniter Corporation will not be responsible for injury or property damage resulting from service performed by a none qualified service technician. If you perform service on your own product, you must assume all responsibility for injury or damages, which may result.

OEM Cross Reference Chart
The 1.25" wide bracket replaces the following part numbers

Robertshaw 41-402 41-405 41-408 41-410	Evcon 1474-051 1474-052	Robert Gordon 90436600
American Road Equipment 201W	Hupp Industries 9050	Superior Fireplace 94851
Armstrong Air 38322B001	Majestic 75-92-104 75-92-105	Trane IGN23 IGN34 340039P01 B340039P01 B1446676P01
Comfort Zone 150114-04-01	Metzger 201 N 201 W	Viessman 9302-094
Claire Brothers C-238 C-242	Mor-Flo 3200618	Wyne Home Equipment 62821-001 62821-002
Coleman 1474-051 1474-052	Nordyne 632-0770 632-0880 105141000	L. B. White Co. 120-07549
Detroit Radiant 201 D	Norton 201 D 201 K 201 L 201 R 201 W 271 N 271 P 271 W	White Rodgers 767A-357 767A-361
DMO Industries 20834		Williamson 9050
Dornback Furnace 271W		York International 025-27774-000 025-27776-000 025-29043-000 025-29050-000
Enerco Tech 10399	Rheem 62-22441-01	

The 2.0" wide bracket replaces the following part numbers

Robertshaw 41-403 41-407 41-409	Raypak 600915	Trane IGN26 IGN30 B138196P01 B144676P02
Carrier Corp. LH33ZS001A LH33ZS002	Roberts Gordon 90434300	Weil McLain 511-330-139 511-330-193
Ducane 20015201	H.B. Smith 50018	
For Norton 201 271	Snyder General 1380654 1380672 1380682	